



ESDA6V1S3 ESDA6V2S6

Application Specific Discretes
A.S.D.™

TRANSIL ARRAY FOR ESD PROTECTION

APPLICATIONS

Where transient overvoltage protection in ESD sensitive equipment is required, such as :

- COMPUTERS
- PRINTERS
- COMMUNICATION SYSTEMS
- GSM HANDSETS AND ACCESSORIES
- OTHER TELEPHONE SETS

FEATURES

- 18 UNIDIRECTIONAL TRANSIL FUNCTIONS
- LOW LEAKAGE CURRENT: $I_R \text{ max.} < 2 \mu\text{A}$
- 200 W PEAK PULSE POWER (8/20 μs)

DESCRIPTION

The ESDA6xxSx is a monolithic voltage suppressor designed to protect components which are connected to data and transmission lines against ESD.

It clamps the voltage just above the logic level supply for positive transients, and to a diode drop below ground for negative transients.

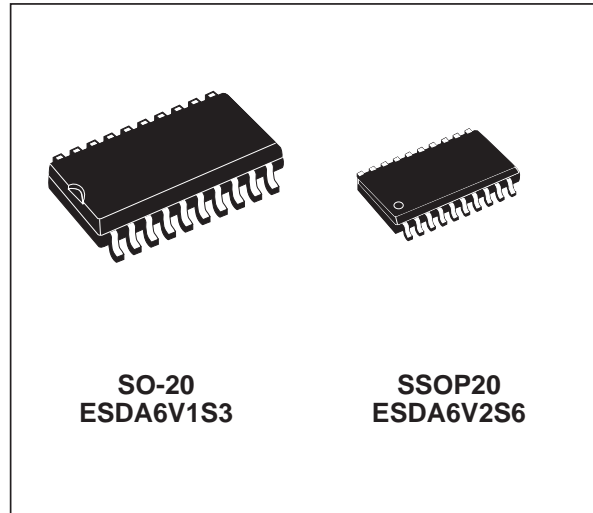
BENEFITS

High ESD protection level : up to 25 kV
High integration
Suitable for high density boards

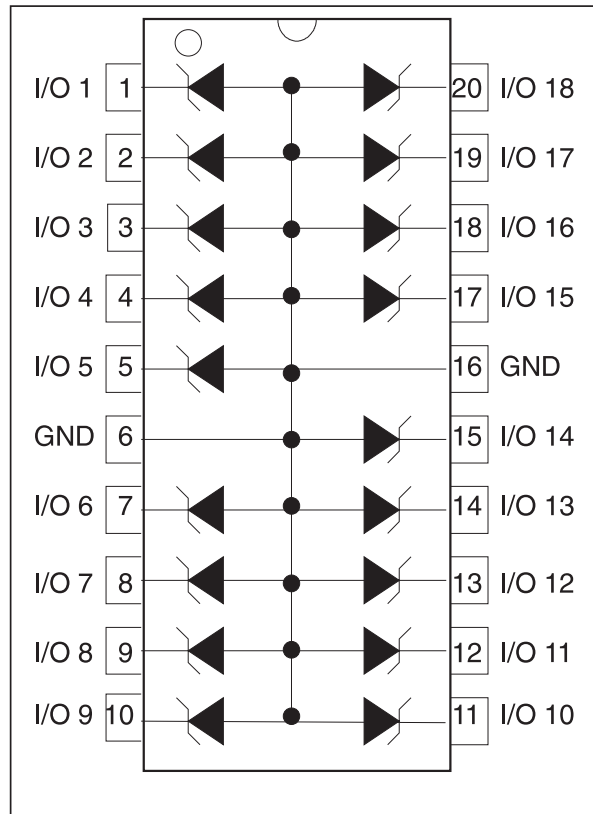
COMPLIES WITH THE FOLLOWING STANDARDS :

IEC 1000-4-2 : level 4

MIL STD 883C-Method 3015-6 : class3
(human body model)



FUNCTIONAL DIAGRAM



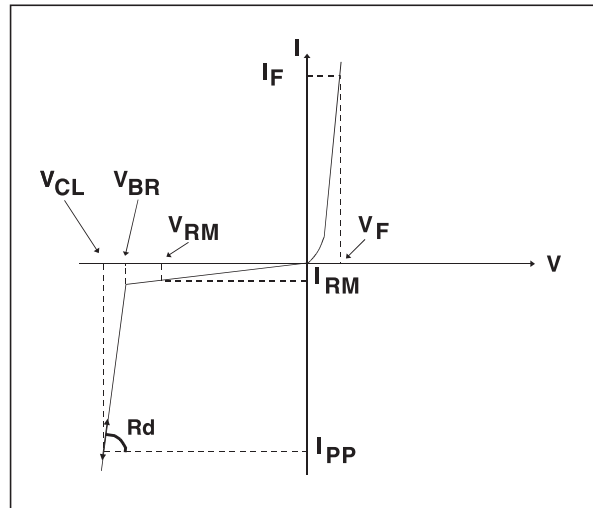
ESDA6V1S3 / ESDA6V2S6

ABSOLUTE MAXIMUM RATINGS ($T_{amb} = 25^{\circ}\text{C}$)

Symbol	Parameter	Value	Unit
V_{PP}	Electrostatic discharge MIL STD 883C - Method 3015-6	25	kV
P_{PP}	Peak pulse power (8/20 μs)	200	W
T_{stg} T_j	Storage temperature range Maximum junction temperature	- 55 to + 150 150	$^{\circ}\text{C}$ $^{\circ}\text{C}$
T_L	Maximum lead temperature for soldering during 10s	260	$^{\circ}\text{C}$

ELECTRICAL CHARACTERISTICS ($T_{amb} = 25^{\circ}\text{C}$)

Symbol	Parameter
V_{RM}	Stand-off voltage
V_{BR}	Breakdown voltage
V_{CL}	Clamping voltage
I_{RM}	Leakage current
I_{PP}	Peak pulse current
αT	Voltage temperature coefficient
C	Capacitance
Rd	Dynamic resistance
V_F	Forward voltage drop



Types	V_{BR} @ I_R		I_{RM} @ V_{RM}		Rd	αT	C	V_F @ I_F		
	min.	max.	max.					typ.	max.	V
	note1		note1		note 2	note 3	0V bias			
	V	V	mA	μA	V	Ω	$10^{-4}/^{\circ}\text{C}$	pF		
ESDA6V1S3	6.1	7.2	1	2	5.25	0.5	6	120	1.25	200
ESDA6V2S6	6.2	7.2	1	2	5.25	0.5	6	100	1.25	200

Note 1 : Between any I/O pin and Ground

Note 2 : Square pulse, $I_{PP} = 25\text{A}$ for ESDA6V1S3 and $I_{PP} = 15\text{A}$ for ESDA6V2S6, $t_p = 2.5\mu\text{s}$

Note 3 : $\Delta V_{BR} = \alpha T * [T_{amb} - 25] * V_{BR}(25^{\circ}\text{C})$

CALCULATION OF THE CLAMPING VOLTAGE

USE OF THE DYNAMIC RESISTANCE

The ESDA family has been designed to clamp fast spikes like ESD. Generally the PCB designers need to calculate easily the clamping voltage V_{CL} . This is why we give the dynamic resistance in addition to the classical parameters. The voltage across the protection cell can be calculated with the following formula:

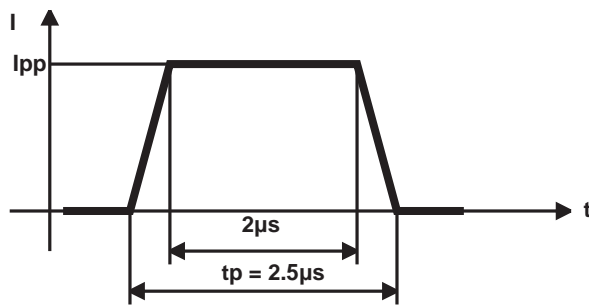
$$V_{CL} = V_{BR} + R_d I_{PP}$$

Where I_{PP} is the peak current through the ESDA cell.

As the value of the dynamic resistance remains stable for a surge duration lower than $20\mu s$, the $2.5\mu s$ rectangular surge is well adapted. In addition both rise and fall times are optimized to avoid any parasitic phenomenon during the measurement of R_d .

DYNAMIC RESISTANCE MEASUREMENT

The short duration of the ESD has led us to prefer a more adapted test wave, as below defined, to the classical $8/20\mu s$ and $10/1000\mu s$ surges.



2.5µs duration measurement wave.

Fig. 1 : Peak power dissipation versus initial junction temperature.

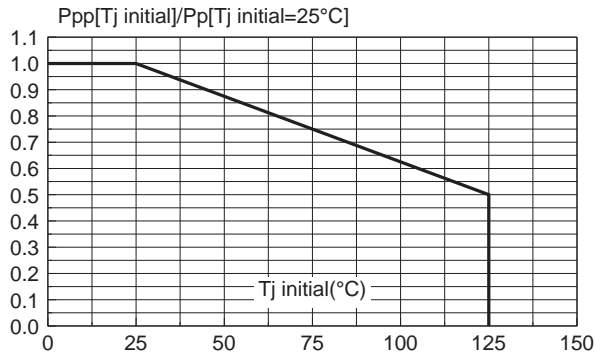


Fig. 2 : Peak pulse power versus exponential pulse duration ($T_j \text{ initial} = 25^\circ\text{C}$).

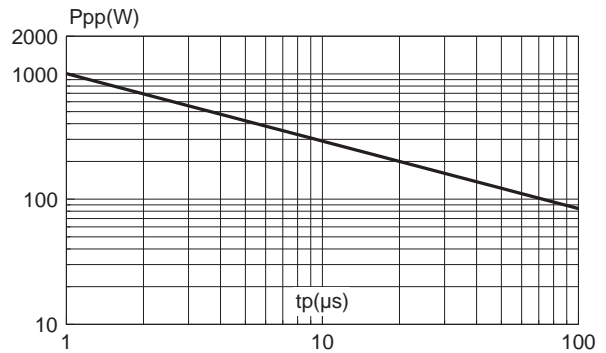


Fig. 3 : Clamping voltage versus peak pulse current ($T_j \text{ initial} = 25^\circ\text{C}$). Rectangular waveform $t_p = 2.5 \mu\text{s}$.

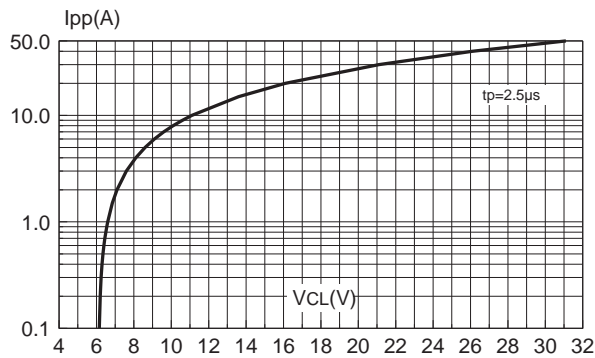


Fig. 4 : Capacitance versus reverse applied voltage (typical values).

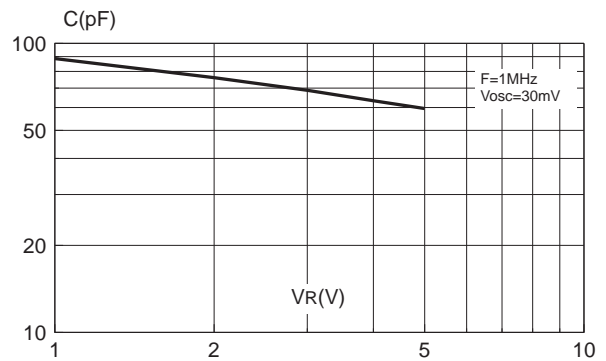


Fig. 5 : Relative variation of leakage current versus junction temperature (typical values).

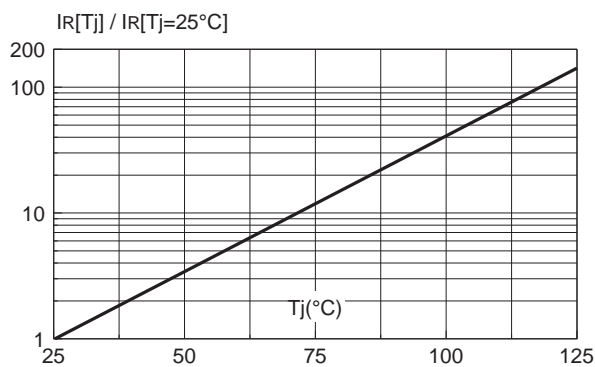
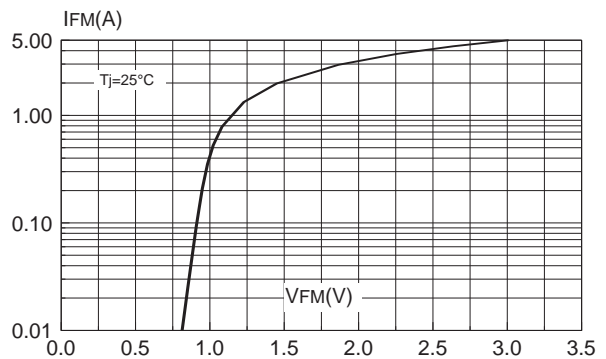
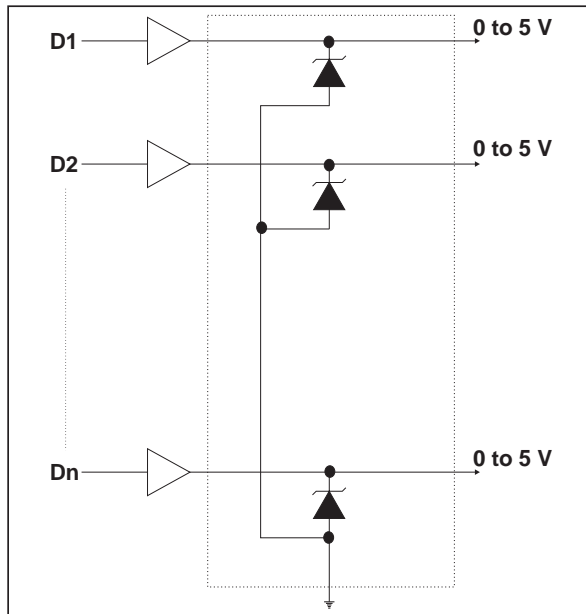
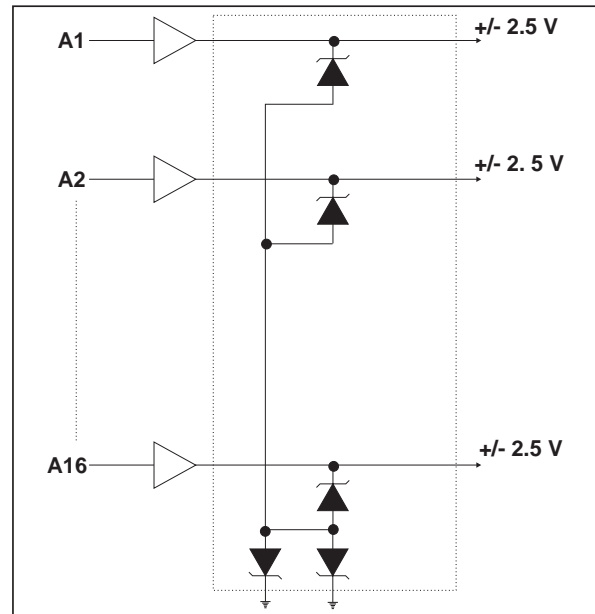


Fig. 6 : Peak forward voltage drop versus peak forward current (typical values).



APPLICATION EXAMPLE :**1 - Protection of logic-level signals.**

(ex : centronics junction)

**2 - Protection of symmetrical signals.****Note :** Capacitance value between any I/O pin and Ground is divided by 2.

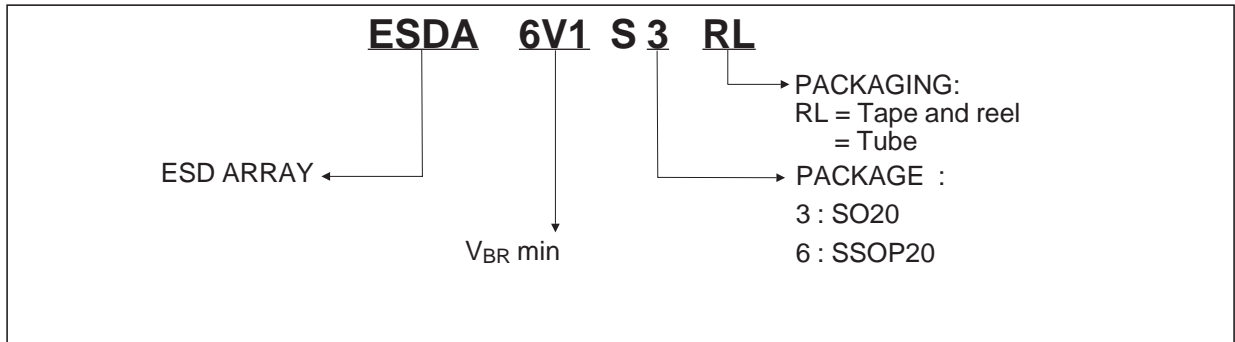
Implementing its ASD™ technology, STMicroelectronics has developed a monolithic TRANSIL diode array, which is a reliable protection against electrostatic overloads for computer I/O ports, modems, GSM handsets and accessories or other similar systems with data outputs. The ESDAxxSx integrates 18 TRANSIL diodes in a compact package that can be easily mounted close to the circuitry to be protected, eliminating the assembly costs associated with the

use of discrete diodes, and also increasing system reliability.

Each TRANSIL has a breakdown voltage between 6.2V (minimum) and 7.2V (maximum). When the input voltage is lower than the breakdown voltage, the diodes present a high impedance to ground. For short overvoltage pulses, the fast-acting diodes provide an almost instantaneous response, clamping the voltage to a safe level.

ESDA6V1S3 / ESDA6V2S6

ORDER CODE



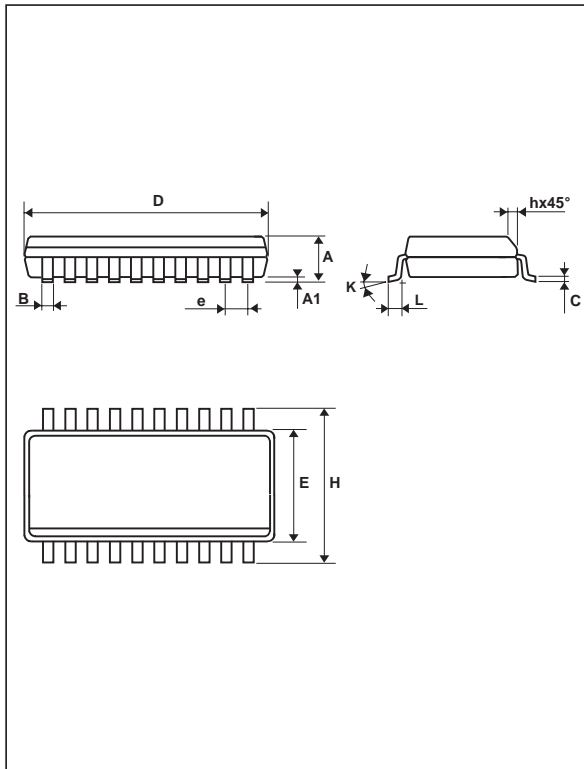
MARKING : Logo, date code

TYPE	MARKING
ESDA6V1S3	E6V1S3
ESDA6V2S6	ESDA6V2S6

Packaging : Preferred packaging is tape and reel.

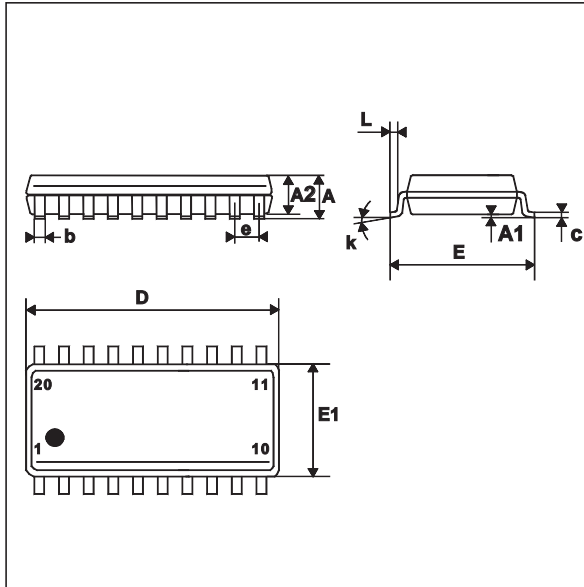
PACKAGE MECHANICAL DATA

SO-20 (Plastic)



REF.	DIMENSIONS					
	Millimeters			Inches		
	Min.	Typ.	Max.	Min.	Typ.	Max.
A	2.35		2.65	0.092		0.104
A1	0.10		0.20	0.004		0.008
B	0.33		0.51	0.013		0.020
C	0.23		0.32	0.009		0.013
D	12.6		13.0	0.484		0.512
E	7.40		7.60	0.291		0.299
e		1.27			0.050	
H	10.0		10.65	0.394		0.419
h	0.25		0.75	0.010		0.029
L	0.50		1.27	0.020		0.050
K	8° (max)					

Weight : 0.55g.

PACKAGE MECHANICAL DATA
 SSOP20 (Plastic)


REF.	DIMENSIONS					
	Millimeters			Inches		
	Min.	Typ.	Max.	Min.	Typ.	Max.
A			2.00			0.079
A1			0.25			0.010
A2	1.51		2.00	0.059		0.079
b	0.25	0.30	0.35	0.010	0.012	0.014
c	0.10		0.35	0.004		0.014
D	7.05		8.05	0.278		0.317
E	7.60		8.70	0.299		0.343
E1	5.02	6.10	6.22	0.198	0.240	0.245
e		0.65			0.026	
k	0°		10°	0°		10°
L	0.25	0.50	0.80	0.010	0.020	0.031

Weight : 0.18g.

Information furnished is believed to be accurate and reliable. However, STMicroelectronics assumes no responsibility for the consequences of use of such information nor for any infringement of patents or other rights of third parties which may result from its use. No license is granted by implication or otherwise under any patent or patent rights of STMicroelectronics. Specifications mentioned in this publication are subject to change without notice. This publication supersedes and replaces all information previously supplied. STMicroelectronics products are not authorized for use as critical components in life support devices or systems without express written approval of STMicroelectronics.

The ST logo is a registered trademark of STMicroelectronics.

All other names are the property of their respective owners.

© 2003 STMicroelectronics - All rights reserved.

STMicroelectronics GROUP OF COMPANIES

Australia - Belgium - Brazil - Canada - China - Czech Republic - Finland - France - Germany -
 Hong Kong - India - Israel - Italy - Japan - Malaysia - Malta - Morocco - Singapore - Spain -
 Sweden - Switzerland - United Kingdom - United States

www.st.com